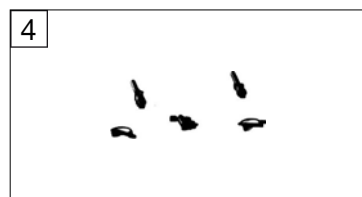
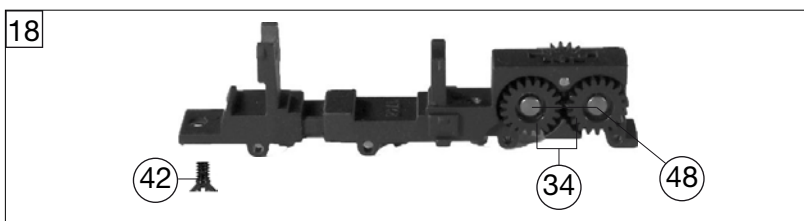
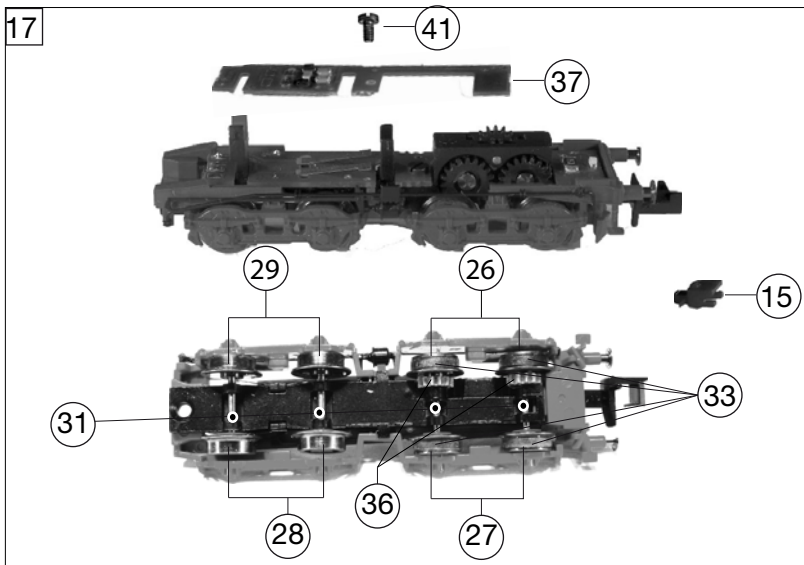
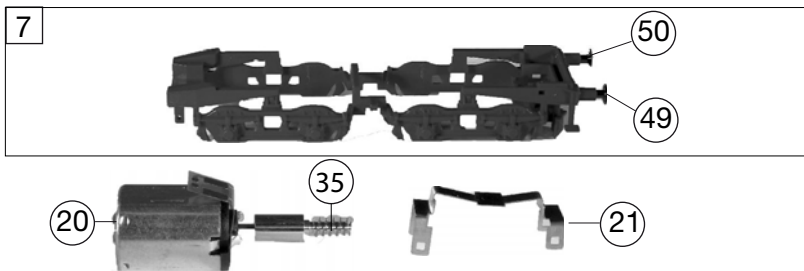


715206 BR 52 2614 DR		=	N	
Pos. Nr. Pos.no.	Beschreibung Description	Art.-Nr. Art.no.	Preisgruppe Price bracket	
1	LOKGEHÄUSE KPL.BR 52 EP II loco chassis complete	10715206	029	
2	UMLAUFBLECH running board	11715206	025	
3	LICHTLEITER light conductor set	13715201	006	
4	ZUGHAKEN-BREMSKUP.-KOLBENSTANG coupling hook, brake coupling, piston rod	19715201	---	
5	PFEIFE whistle	00197605	004	
6	TENDERGEHAEUSE KPL. Tender chassis complete	20715206	---	
7	TENDERRAHMEN KPL. Tender framework complete	21715206	---	
8	LEITER-TREPPE-HANDLAUF-ROHRLEI ladder-treadle-handrail-pipe	22715201	011	
9	LICHTLEITER FUER TENDER light conductor for tender	23715201	006	
10	LOKFAHRGESTELL KPL. Loco chassis complete	30715206	---	
11	LOKFAHRGESTELL MIT RÄDERN loco chassis with wheels	31715206	---	
12	STEUERUNG KPL.M.KUPPELSTANGEN Reversing gear complete with coupling rod	32715201	017	
13	ABDECKPLATTE UNTEN cover plate bottom	00337181	006	
14	VORLAUFGESELL KPL. Carrying wheel set complete	37715206	---	
15	ADAPTER F.7052/7053 adaptor	00387008	006	
16	KUPPELLASCHE LOK-TENDER coupling latch for loco tender	38802100	004	
17	TENDERFAHRGESTELL KPL.O.MOTOR tender chassis complete w/o motor	40715206	---	
18	TENDERFAHRGESTELL MIT ZAHNRÄDE tender chassis with gear wheels	41715201	027	
19	ZYLINDERKASTEN KPL.BR 52 cylinder box complete	48715206	---	
20	MOTOR motor	50715201	030	
21	MOTORHALTEBUEGEL motor retainer clip	50791400	002	
22	KUPPELRAD ROT coupled wheel red	00517062	007	
23	TREIBRAD LINKS F.BR 50 4-DOM. Driving wheel	00517072	008	
24	TREIBRAD RECHTS NIEDR.SPURKR. Driving wheel right side	00517073	008	
25	KUPPELRAD NIEDR.SPURKRANZ coupling wheel	00517074	008	
26	LOKRAD M.N. ROT LACK. Loco wheel with traction tyre, red	51713500	---	
27	LOKRAD M.N. ROT LACK. UGR loco wheel w/o traction tyre, red, insulated	51713600	---	
28	LOKRAD O.N. ROT LACK. UGR Loco wheel w/o traction tyre, red, insulated	51713700	---	
29	LOKRAD O.N. ROT LACK. Loco wheel w/o traction tyre,red	51713800	---	
30	ACHSE axle	00527007	001	
31	ACHSE axle	52701200	---	
32	VORLAUF-SCHEIBEN-RS BR 50 KAB Disc-type carrying wheelset	00537066	012	
33	HAFTREIFEN traction tyre	00547001	001	
34	ZAHNRAD gear wheel	56718100	---	



715206		BR 52 2614 DR	=	N
Pos. Nr. Pos. no.	Beschreibung Description	Art.-Nr. Art. no.	Preisgruppe Price bracket	
35	SCHNECKE MESS. D=3MM L=5,5 MM worm gear	56761600	006	
36	RITZEL gear wheel	56762000	---	
37	LEITERPLATTE KPL. (TENDER) PCB complete (tender)	65714000	018	
38	LEITERPLATTE KPL. PCB complete	65714100	022	
39	LEITERPLATTE KPL. PCB complete	65714200	---	
40	SCHNITTST.-BLINDSTECKER 6-POL. Jumper 6-pin	00664005	013	
41	SCHRAUBE M 1,4 X 3 screw	00700203	001	
42	SCHRAUBE screw	00702304	001	
43	LINSENSCHRAUBE F.7181/82 button screw	00704902	002	
44	LINSENSCHRAUBE F.7339 button screw	00704904	002	
45	BLECHSCHRAUBE M.KREUZSCHLITZ tapping screw	00713309	001	
46	BOLZEN F.KUPPELSTANGE bolt for coupling rod	00730562	002	
47	BOLZEN F. KUPPELSTANGE Bolt for coupling rod	00730570	001	
48	BUNDBOLZEN F.7225 Flanged bolt	00730578	003	
49	STECKPUFFER (GEWÖLBT) plug-in buffer (curved)	00757011	002	
50	STECKPUFFER (FLACH) plug-in buffer (flat)	00757012	002	
51	ZUGFEDER SCHWARZ VERN. Draw spring black nickel-plated	76710800	---	
52	FEDERBÜGEL F.ZUGFEDER 76710800 spring clip for draw spring	76711000	---	
	STANDARD-KUPPLUNG standard coupling	9521	---	
	STANDARD-STECKKUPPLUNG standard clip in coupling	9525	---	
	PROFI-KUPPLUNG profi coupling	9541	---	
--	PROFI-STECKKUPPLUNG profi clip in coupling	9545	---	